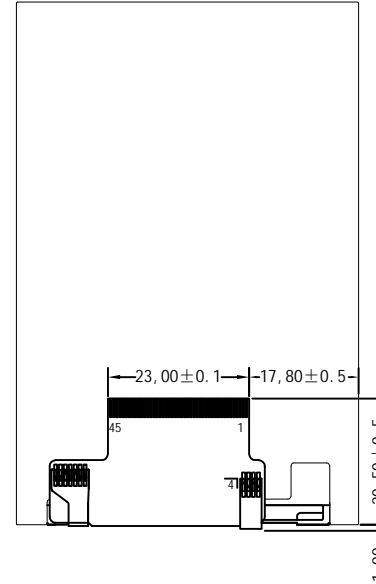
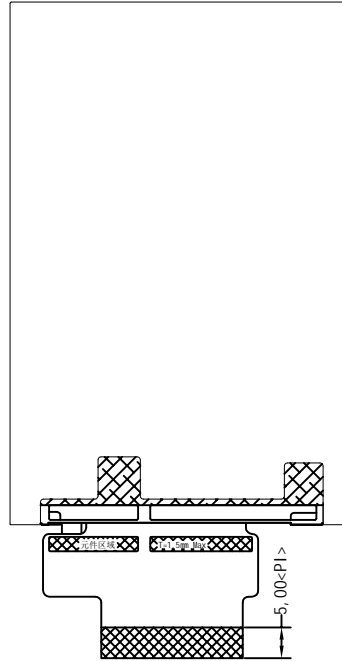
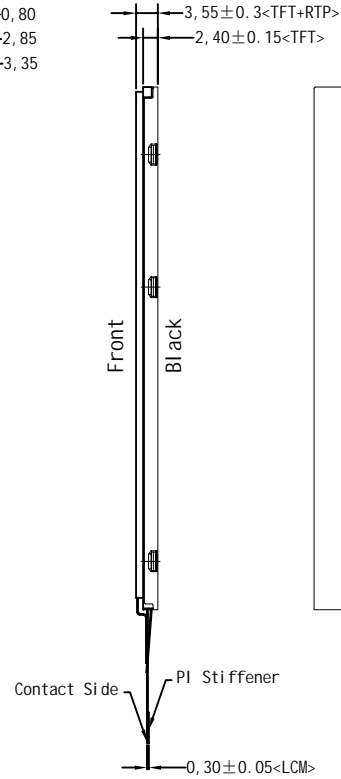
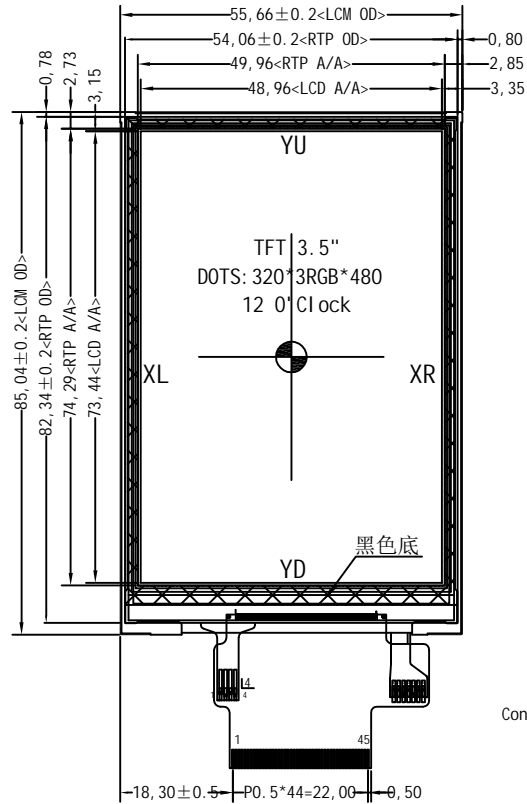
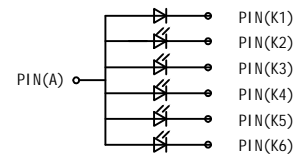


\*\*\* Do not display the fixed pattern for a long time when using a normally black panel, as it may cause image sticking due to the LCM structure. If the screen is displayed in fixed mode, use a screen saver. It is recommended to display the fixed mode in less than 2 minutes or less.



Pin	SIGNAL	Pin	SIGNAL	Pin	SIGNAL
1	LEDA	21	DB13	41	RTP_YD
2	LEDK1	22	DB12	42	RTP_XR
3	LEDK2	23	DB11	43	RTP_YU
4	LEDK3	24	DB10	44	GND
5	LEDK4	25	DB9	45	NC
6	LEDK5	26	DB8		
7	LEDK6	27	DB7		
8	GND	28	DB6		
9	NC	29	DB5		
10	VCI	30	DB4		
11	IOVCC	31	DB3		
12	CS	32	DB2		
13	WR	33	DB1		
14	RS	34	DB0		
15	RD	35	NC		
16	RESX	36	NC		
17	NC	37	TE		
18	NC	38	NC		
19	DB15	39	GND		
20	DB14	40	RTP_XL		

*1. LCD Display Type	TFT, Transmissive, Normally White		
*2. Viewing Direction	12 O'Clock (U60/D60/L70/R70)	*6. Storage Temp	-30° C~80° C
*3. Interface	MCU8/16	*7. Driver IC	ST7796S(TFT)
*4. Operating Voltage	VCI=3.3V, IOVCC=1.8V (Typ)	*8. Backlight	White Vf=3.2V, If=120mA(Typ)
*5. Operating Temp	-20° C~70° C	*9. LCM Brightness	250 cd/m <sup>2</sup> (Typ)



BL CIRCUIT DIAGRAM:  
Vf=3.2V, If=120mA



Dwg Title: TFT-H035A5HVTST2R45			
Scale: 1:1	Unit: MM	Tol: ±0.3	
Ver: V0	Drawn: Li u. YL	Date: 2020-02-29	